

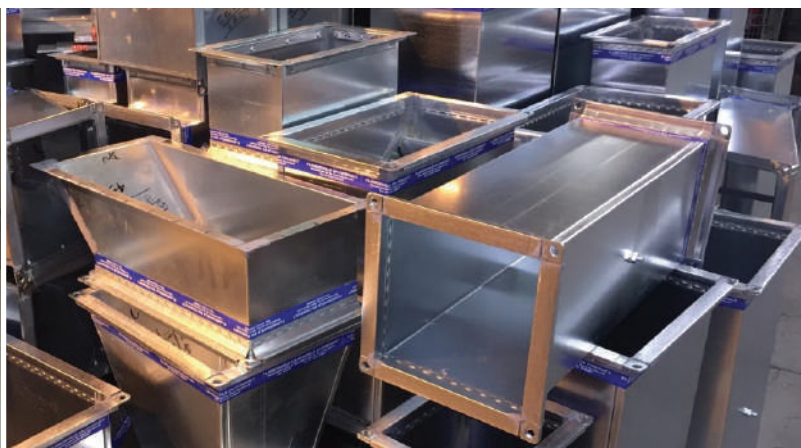


Flameshield Products

The UK's Only Non-Coated, Fire Rated Ductwork System To Achieve Full LPCB/BRE Certification for EN1366 parts 1, 8 & 9

Flameshield Non-Coated Fire Rated Ductwork

Flameshield™ are continuing their expansion and on-going development of Flameshield Fire-Rated Ductwork. Flameshield Fire-Rated Ductwork is a non-coated ductwork system made from galvanised sheet metal on dedicated machinery, which enables the system to withstand fire tests to EN1366 Parts 1, 8 & 9 (-1500/500) without the need for spray applied to the external surface. No spray means no curing time allowing Flameshield fire duct to be produced on an even quicker turnaround from drawing production through to manufacture and delivery.



Flameshield Certification

EN test Standards

EN1366-1 - Fire resistance tests for service installations - ducts (ventilation, pressurisation and kitchen extract)

EN1366-8 - Fire resistance tests for service installations - smoke extract ducts (multi compartment)

EN1366-9 - Fire resistance tests for service installations - smoke extract ducts (single compartment)

Available system certification

Smoke Extract Systems (LPCB Fire Classification Duct C - Fire Inside)

EN1366 Certification for horizontal and vertical ductwork up to a maximum of 1250mm width x 1000mm depth.

Note: Warrington fire assessment of sizes 1250x1000 to 2500x1250.

BS476 Certification for Smoke Extract sizes over 1250x1000mm.

Ventilation and Stair Pressurisation Systems (LPCB Fire Classification Duct B - Fire Inside)

EN1366 Certification for horizontal and vertical ductwork up to a maximum of 2500mm width x 1250mm depth.

Sizes up to 1250x1000 suitable for all wall types.

Sizes from 1251x1001 up to 2500x1250 suitable for solid wall penetrations only.

BS476 Certification for Duct B sizes over 2500x1250mm.

Ventilation and Stair Pressurisation Systems (LPCB Fire Classification Duct A - Fire Outside)

EN1366 Certification for horizontal and vertical ductwork up to a maximum of 2500mm width x 1250mm depth.

Sizes up to 1250x1000 suitable for all wall types.

Sizes from 1251x1001 up to 2500x1250 suitable for solid wall penetrations only.

BS476 Certification for Duct B sizes over 2500x1250mm.

Kitchen Extract (LPCB Fire Classification)

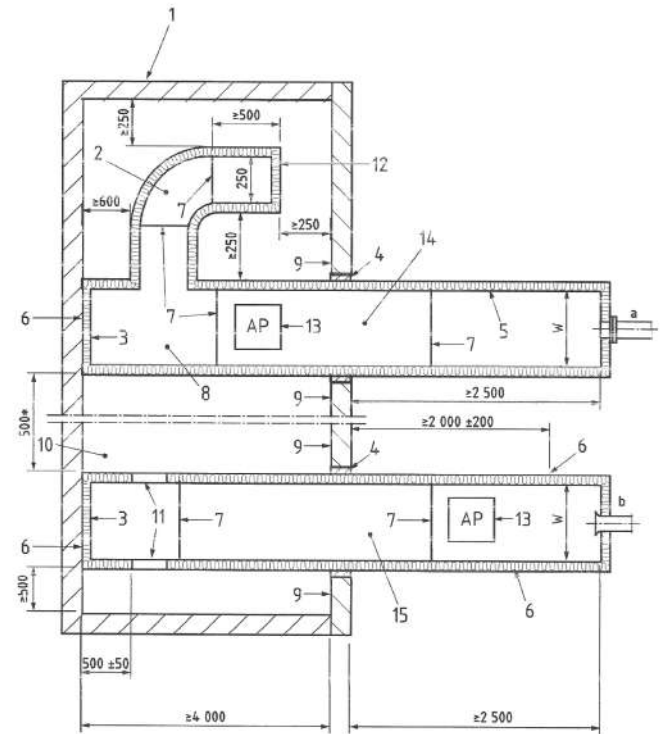
EN1366 There is currently no EN Kitchen Extract test standard available. Awaiting publication of BS EN 15871. However, DW/172 2nd Edition 2018 does allow the use of ducts tested on BS EN 1366-1 (see section D15) meeting EN1366 part 1 combustible lining for 120EI.

BS476 Certification for all sizes.

BS EN 1366-1:2014
EN 1366-1:2014 (E)

PLAN VIEW

All dimensions in mm



Accreditations



- ✓ **ASFP - Full members ASFP**
(Association of Specialist Fire Protection)
- ✓ **Certified by Loss Prevention Certification Board and listed in the LPCB "Red Book"**
(www.redbooklive.com)
- ✓ **Fully tested to EN1366 Parts 1, 8 & 9**
- ✓ **Certified under the LPCB LPS 1531**
(Installers Scheme)
- ✓ **London Underground & Tube lines Approved**